



## Stretcher Wheel Cart / Wheeled Litter Carrier

### Assembly and use Instructions



**CE** This product conforms to the Medical Device Regulations 2017/745

Product assembly videos can be viewed at [www.gseason.com](http://www.gseason.com)

<h3>Wheeled Stretcher Carrier</h3>	
US Patent US9,192,528 B1	
<b>CE</b>	EC REP
	CMC Medical Devices & Drugs S.L. C/ Horacio Lengo, N18, CP29006, Málaga-Spain <a href="mailto:info@cmcmedicaldevices.com">info@cmcmedicaldevices.com</a>
 <b>GOLDEN SEASON</b>	
<small>31 PLAYFAIR ROAD, GOLDEN SEASON BUILDING, SINGAPORE 367993 +65 68632228 <a href="http://WWW.GSEASON.COM">WWW.GSEASON.COM</a></small>	
<b>LOT</b>	



[www.MedAid.ie](http://www.MedAid.ie)

### Golden Season Pte Ltd



## Wheeled Litter Carrier Assembly

---



Case sold separately

Lightest wheeled litter carrier on the market for single person transport to & from MedEVAC vehicles, aircraft, etc.

- Locking clamp system to keep the litter firmly in place
- Compatible with Talon® II 90C, Raven®90C, MedEvac & T3 litters as well as all NATO litters
- Performs as litter stand in the field due to its unique wheel locking system
- Quick and easy to deploy or disassemble for storage
- Includes rugged, wheeled, stackable hard case with custom laser-cut foam packing interior (Case sold separately)

### Technical Parameters

- Carrier Dimensions Open: L1370mm x W690mm x H820mm
- Carrier Dimensions Half-Folded: L1180mm x W690mm. x H530mm
- Carrier Dimensions Folded: L1050mm x W620mm x H240mm
- Litter Carrier Weight: 19kg (without wheels: 11.5kg)
- Litter Carrier with Case Weight: 39.9kg
- Litter Carrier Payload: 250kg
- Case Dimensions: L1220mm x W750mm x H320mm

*Wheeled Litter Carrier case, contact Customer Service for details. Please contact Golden Season Pte Ltd at [info@goldenseason.com.sg](mailto:info@goldenseason.com.sg) or +65 68632228 if you have any question.*

---

### Golden Season Pte Ltd



## Wheeled Litter Carrier Assembly

### Axle/Wheels



Figure A

Wheeled Litter Carrier (Disassembled)  
Ready for Assembly



Press locking lever to extend and Insert  
axle rod of tire into sleeve



Figure B

Once axle is fully seated, release locking  
lever to secure rod in place



Figure C

Repeat this step for the second tire.  
When storing with wheels off, press  
locking lever and push out the axle rod  
of tire



Figure D



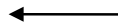
## Wheeled Litter Carrier Assembly

### Handle Prop.



Figure E

Life up on the handle side of the frame



Pull out the handle of litter carrier While rotating 90 degrees counter clockwise Handle will lock itself into place

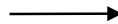


Figure F

Repeat this step for the second handle

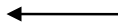


Figure G



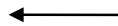
## Wheeled Litter Carrier Assembly

### Frame



Figure H

Using hand, push the frame stabilization crossbar forward until it locks into place (tire side)



Using hand, make the handle to rotate clockwise. It pushes the frame stabilization crossbar forward until it locks into place (handle side)

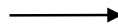


Figure I



Figure J

Wheeled Litter Carrier shown with optional Height extenders is now ready for a stretcher





## Wheeled Litter Carrier Assembly

### Stretcher Clamps



Figure K

Place litter onto carrier, ensuring that the litter poles are properly seated in the provided channels

Secure the litter to the carrier by moving the C clamp over the top of the litter poles.

Once the clamp is properly placed, push down the locking lever to secure



Figure L



Figure M



Figure N

Repeat this step for all four clamps. The clamps Assembly shown is finished

#### NOTE:

- Push down the locking lever until you can feel a stopping point
- You will hear one click, it indicates that the stretcher has locked
- The C clamp can accommodate a stretcher diameter between 38mm and 42mm

#### Golden Season Pte Ltd



## Wheeled Litter Carrier Assembly

### Wheeled Lock



Figure O



Figure P

To stabilize the litter carrier against backward and forward movement.

To engage, rotate the lock hand anti-clockwise until lock fully engages against wheels.

Repeat on both sides, when ready to transport, release wheel locks by rotating the lock hand clockwise.



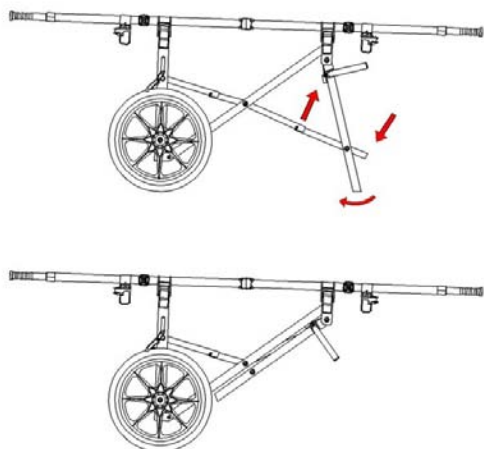
Figure Q

### Golden Season Pte Ltd



## Wheeled Litter Carrier Assembly

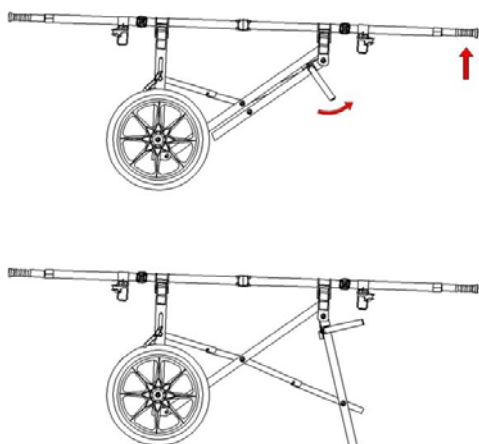
### Foot Prop Operation



← Disengage the foot prop:

Using foot, push down the black bar and make the foot prop rotate until it locks itself into place

Figure R



← Engage the foot prop:

With one hand holding stretcher, the other hand holding the carrier handle, make the foot prop rotate clockwise until the frame stabilization crossbar forward until it locks into place (handle side)

Figure S

### Golden Season Pte Ltd



## Wheeled Litter Carrier Use Instruction

### Attach a stretcher

**Attach a stretcher:** follow the clamp Assembly Operation Instruction above



← Secure the stretcher frame  
Using all four clamp mechanisms

Figure T

### Loading the Patient

1. Place patient on stretcher at ground level
2. Strap patient to stretcher
3. Place stretcher with patient on wheeled Litter Carrier with

**HEAD IN SAME DIRECTION AS THE WHEELED PROP**

### Note:

- Making the litter carrier wheels in the front of the stretcher
- Leaving the litter carrier at the horizontal plane in order to prevent rollover
- Never leave patient unattended



## Wheeled Litter Carrier Use Instruction

### Moving the Patient



Figure U



Figure V

#### When ready to move the patient:

Using foot, push down the black bar and make the foot prop rotate until it locks itself into place.

#### Normal Condition:

Usually one person can pull the litter carrier with a patient by themselves on level ground.

#### Stopping the Patient:



Figure W



Figure X

#### When the litter carrier is at rest, or when ready to remove the patient and stretcher:

With one hand holding stretcher, the other hand holding the carrier handle, make the foot prop rotate clockwise until the frame stabilization crossbar forward until it locks into place (handle side).

### Golden Season Pte Ltd